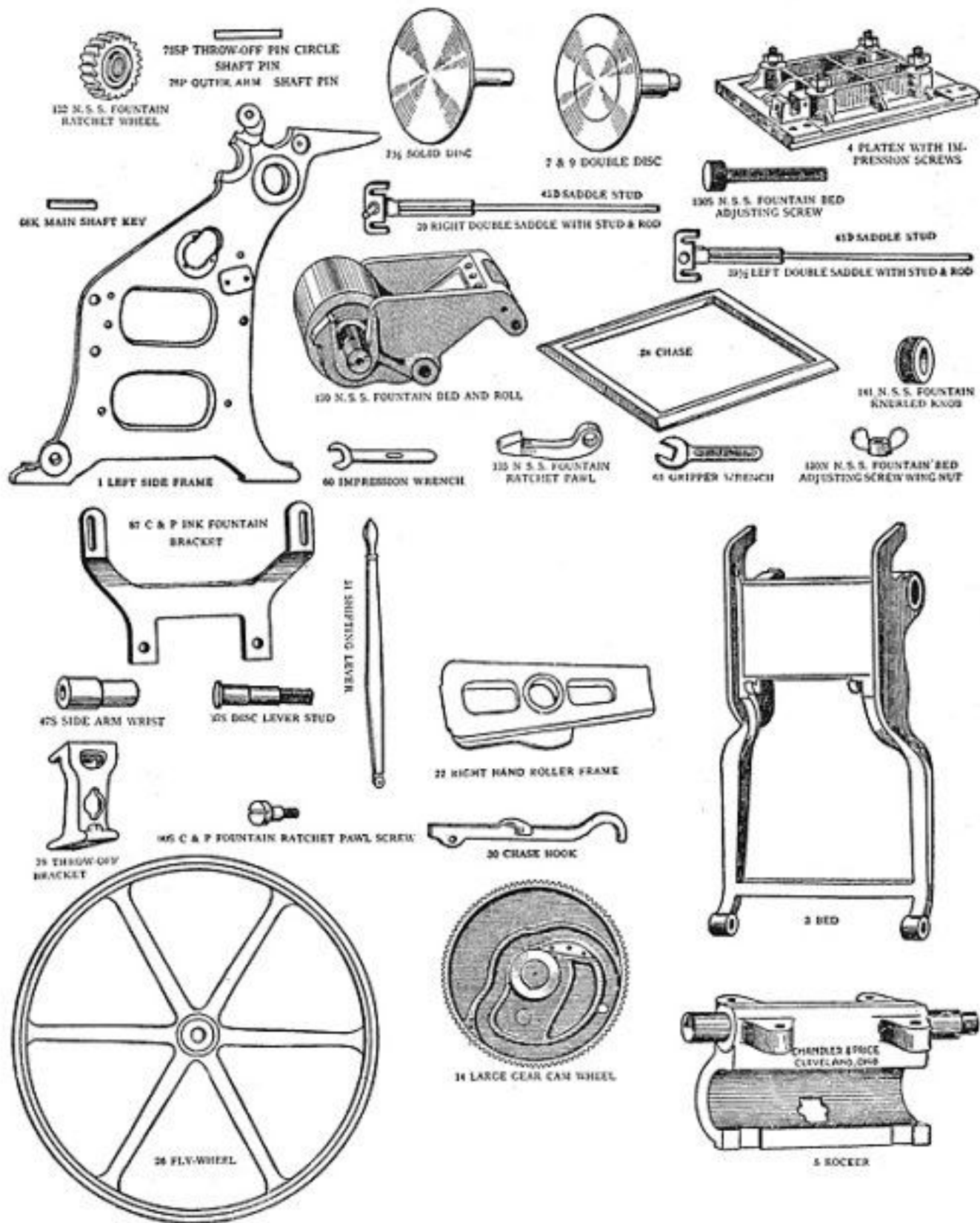
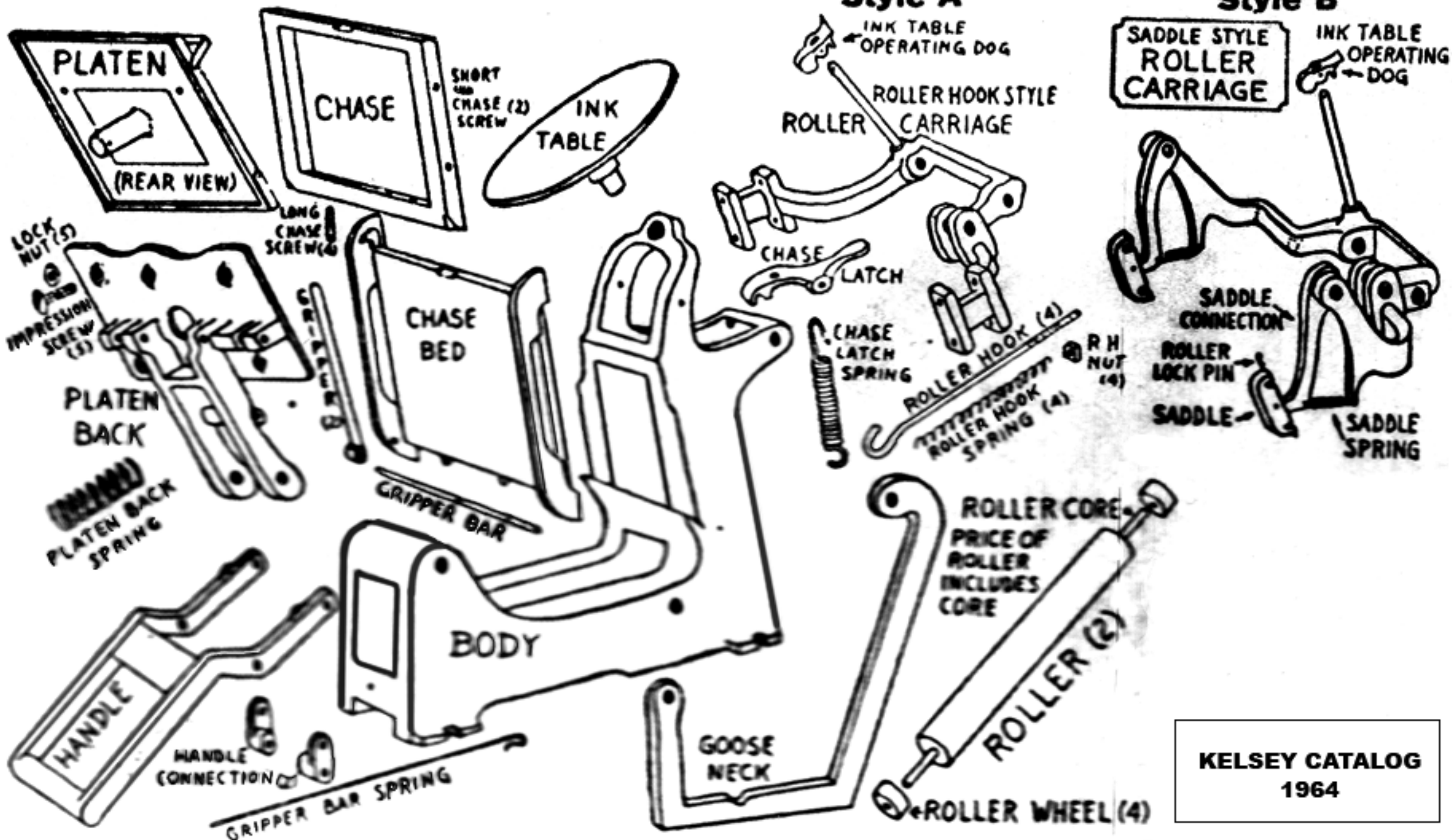


Fig. 109. Principal parts of the platen press



Roller Hook Style Roller Carriage Style A

Saddle Style Roller Carriage Style B



The Platen Press

